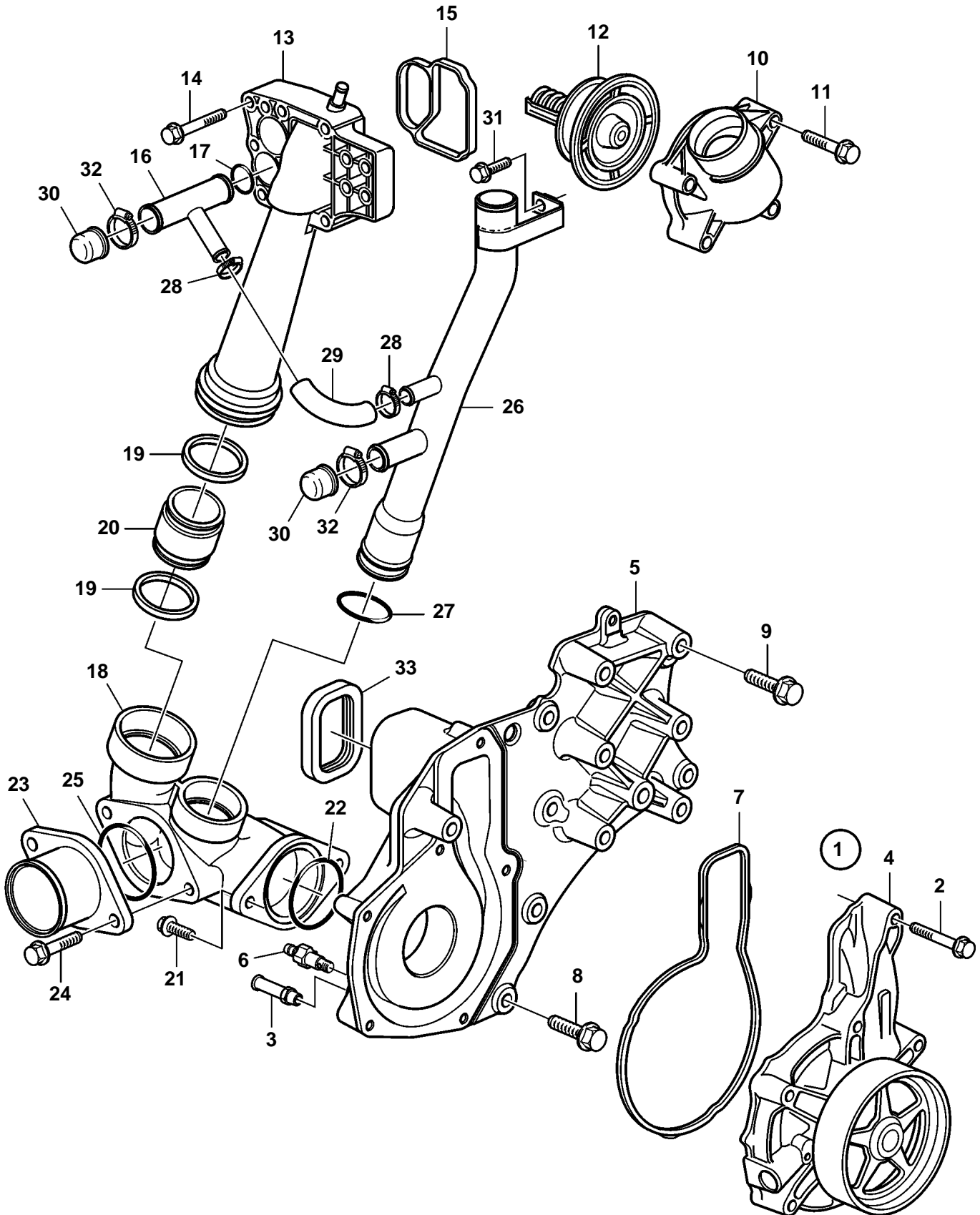


D9A2A MG



D9A2A MG

REF	PART NO.	QTY	DESCRIPTION	NOTES
1		1	Coolant pump	
2	965180	6	· Flange screw	
3	977508	1	· Nipple	
4	3803930	1	· Circ. pump, exch	
5	3808593	1	· Pump housing	
6	3583822	1	· Draining nipple	
7	8131097	1	· Sealing ring	
8	946472	6	Screw	
9	946440	1	Flange screw	
10	20405125	1	Cover	
11	973924	4	Flange screw	
12	20560249	1	Thermostat	
13	3161417	1	Connection pipe	
14	973924	5	Flange screw	
15	20479636	1	Gasket	
16	3838856	1	Coolant pipe	
17	1547252	1	Sealing ring	
18	3836307	1	Coolant pipe	
19	1547254	2	Sealing ring	
20	20451178	1	Pipe	
21	965184	2	Screw	
22	1547254	2	Sealing ring	
23	3943401	1	Coolant pipe	
24	946173	2	Flange screw	
25	975675	1	O-ring	
26	3837738	1	Coolant pipe	
27	1547253	1	Sealing ring	
28	943474	2	Hose clamp	
29	946652	1	Hose	L=160mm
30	845422	2	Cap	
31	947760	1	Flange screw	
32	943472	4	Hose clamp	
33	20430678	1	Sealing ring	